

# ACE-N510 with Jetson™ TX2 Module

## Features

- Smallest design for NVIDIA® Jetson™ TX2
- This product specifically designed for high performance and low-power envelope AI computing
- Extended temperature range -20°C to 70°C
- TX2 powered by Nvidia TEGRA X2 processor - the powerful new NVIDIA Pascal™ architecture, 256 GPU cores, a 64-bit CPU.
- CPU complex combines a dual-core NVIDIA® Denver™ 2 alongside a quad-core ARM Cortex-A57.
- Suitable for general robotics, UAV, industrial inspection, medical imaging and deep learning.

## Specifications

### TX2 Processor

- NVIDIA® Tegra® X2
- HMP Dual Denver 2 / 2 MB L2 +Quad ARM A57 / 2 MB L2

### Graphics

- NVIDIA Pascal™, 256 CUDA® cores
- 1.5 TeroFLOPS

### Board Dimension

- 87 x 50mm

### I/O Interface

- 1x HDMI Type A
- 1x RJ-45 for GbE
- 2x USB3.0 Type A
- 1x USB2.0 Micro AB
- 1x RS-232
- 2x CAN BUS2
- 1x Front Panel
- 4x GPIO
- 1x DC-in 12V (2 Pin Euroblock)

### Operating Temperature

- 0°C ~ +55°C (Standard Version)
- -20°C ~ +70°C (Extended temperature)

### Operating Humidity

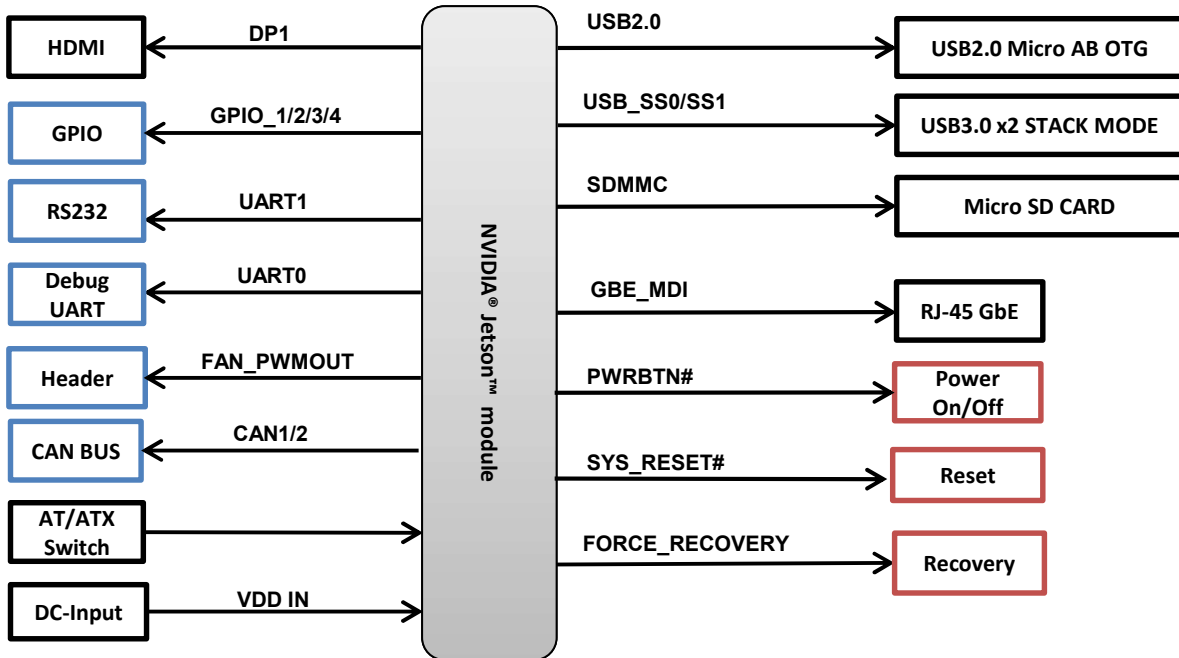
- 10% ~ 90%

### Storage Temperature

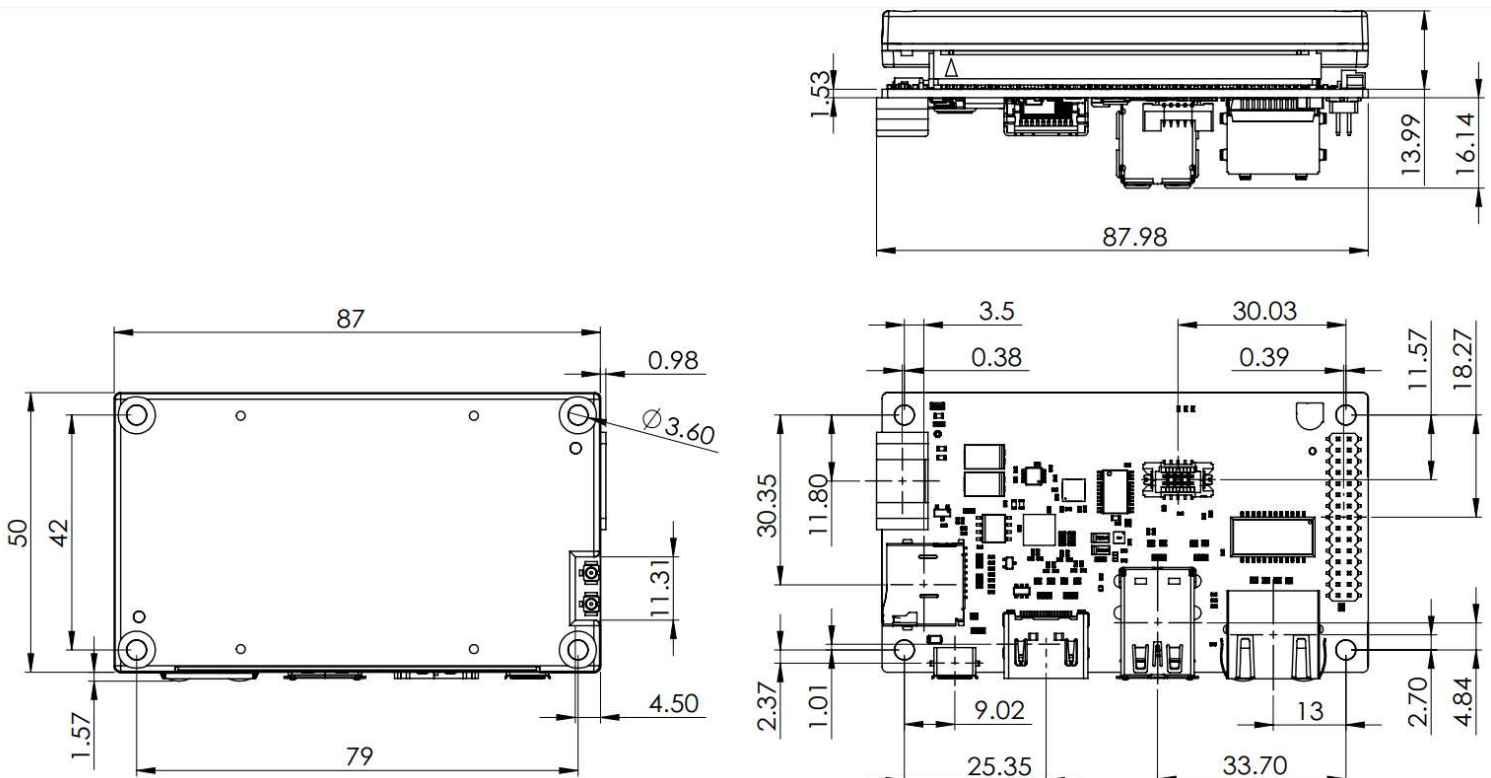
- -40°C ~ +125°C



## Block Diagram



## Mechanical



## Ordering Information

Product name	Description
AN510-TX2-NN01	ACE-N510 Carrier with NVIDIA® Jetson™ TX2 module, Standard temp 0°C to +55°C
AN510-TX2-BN01	ACE-N510 Carrier with NVIDIA® Jetson™ TX2 module, Wide temp -20°C to +70°C
AN510-TX2-NN02	ACE-N510 + TX2 Module + FAN + Cable Kit + Power Adapter and Power Cord 0°C to +55°C
AN510-TX2-BN02	ACE-N510 + TX2 Module + FAN + Cable Kit + Power Adapter and Power Cord -20~+70°C
AN510-TX2-NN03	ACE-N510 + TX2 Module + FAN + Cable Kit + Power Adapter and EU Power Cord 0°C to +55°C
AN510-TX2-BN03	ACE-N510 + TX2 Module + FAN + Cable Kit + Power Adapter and EU Power Cord -20~+70°C

## Accessory (Optional)

7W9000000010	ACE-N510 Cable kit(CAN bus / UART / RS232 / Front panel / GPIO)
9Z1253232030	Active Heat Sink(With FAN)
9Z2XX4141010	Passive Heat Sink
7W8000000040	US Power Cord SVT 18AWG Cable 1800mm Black 105 °C
7W8000000050	EU Power Cord H05VV-F 0.75mm2/3G SL-6+SL-3 Cable 1800mm Black
9Z3BC0000020	100-240V 60W 12V 5A Adapter

Passive Heat Sink



Active Heat Sink



Cable Kit



12V/5A 60W Adapter

